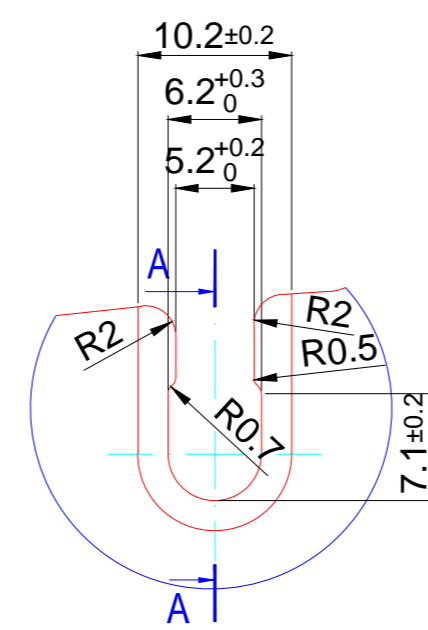
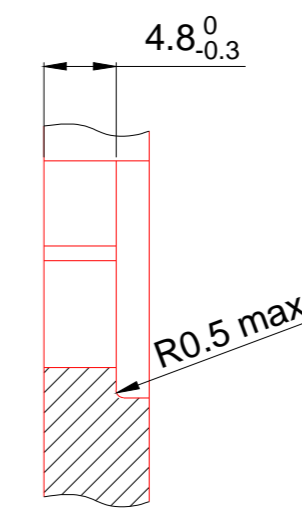


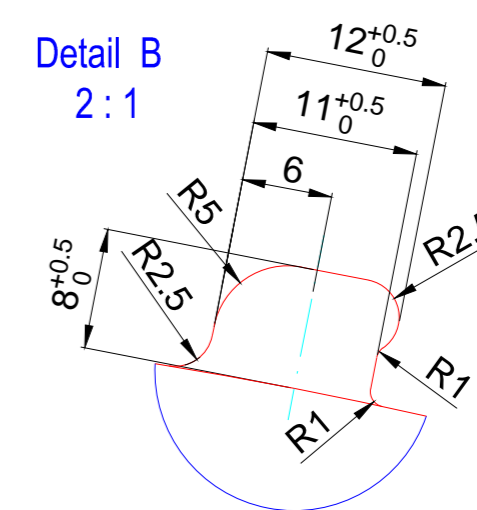
Detail A
2:1



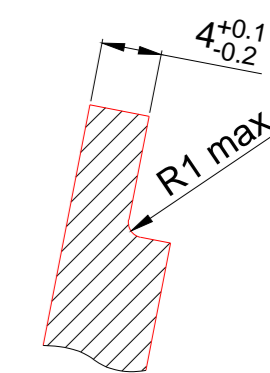
Cut A-A
2:1



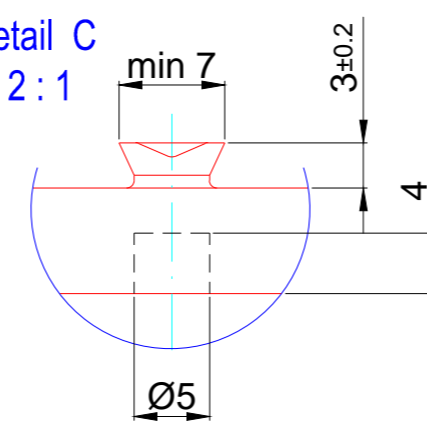
Detail B
2:1



Cut B-B
2:1



Detail C
2:1



Z = Ra3,2 75 Nr.2 Ra6,3 50 Nr.2 (Ra3,2)

UNLESS OTHERWISE SPECIFIED: 0.3 ISO 13715

AUTO CAD 2004 PL		Edition 1		Form nr		Area of brake cm ²	
Drawing M. Roguszka		Date 02.02.2017		Verified M. Darowny		Date 03.02.2017	
Date		Date		Date		Date	
Approved		Approved		Approved		Approved	
Name of part WVA_29059		Sp. z o.o.		Pieces		Material S420MC	
Type CARRIER PLATE 29158		Number Lumag		Mass 1 szt.		Scale 1:1	

Nr ed	Description of Change	Date	Drawing	Approved
0	>6	>30	>120	>400
6	30	120	400	1000
±0.2	±0.2	±0.3	±0.5	±0.8
±0.2	±0.4	±0.8	±1	±2

Dimensions measurement without tolerance	Chamfers	Holes	Pins	Angle
±0.5	±0.5	±0.2	±0.2	±1°