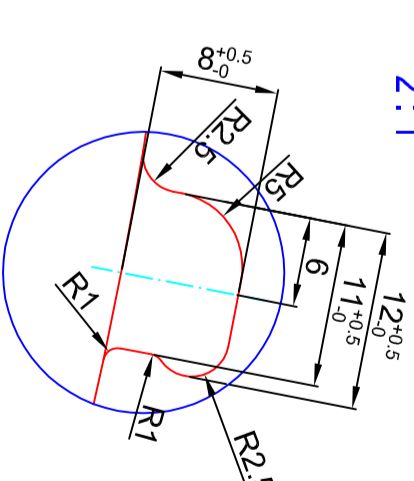
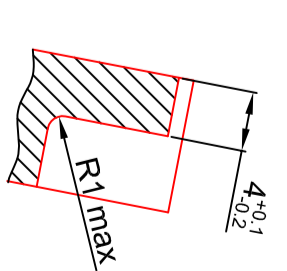


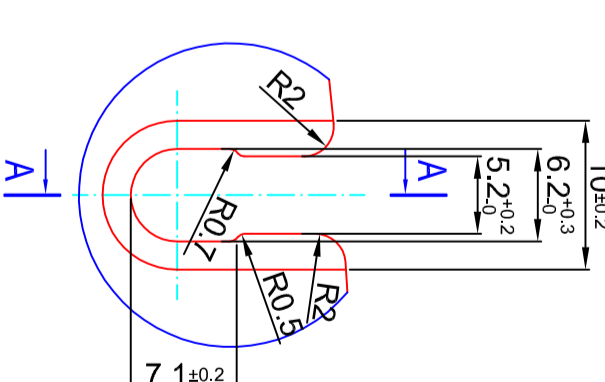
Detail B  
2:1



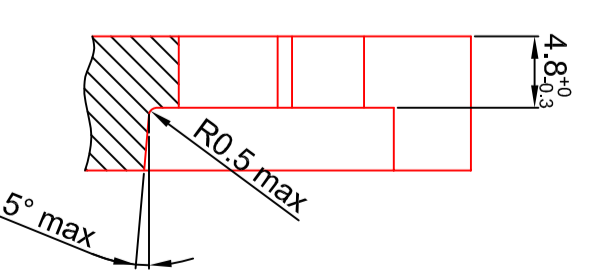
Cut B-B  
2:1



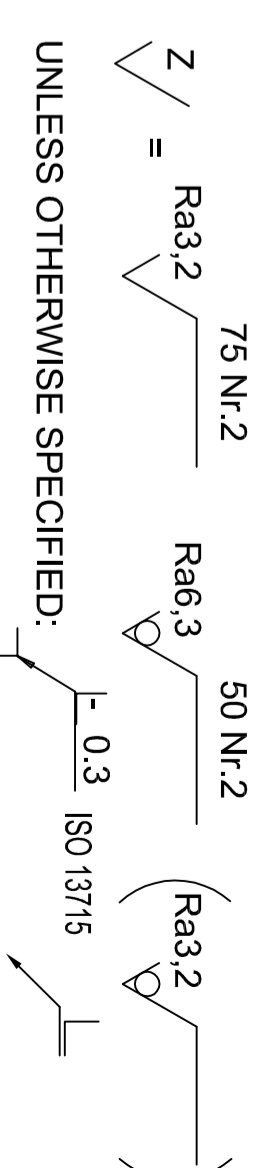
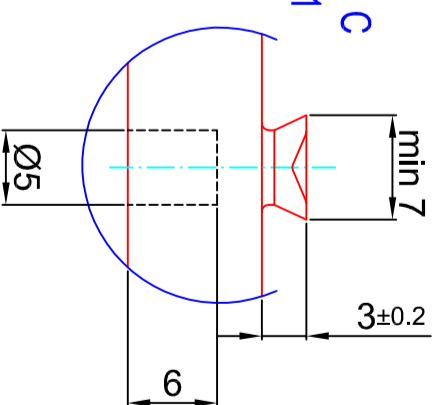
Detail A  
2:1



Cut A-A  
2:1



Detail C  
2:1



Description of Change		Date	Drawing	Approved	Dimensions measurement without tolerance	
Nr.ed	Description of Change	Date	Drawing	Approved	Linear	Chamfers
0		0			0 - 30	>30
1		01.02.2017			30 - 75	75 - 120
2		02.02.2017			75 - 120	120 - 400
3		03.02.2017			120 - 400	400 - 1000
4		04.02.2017			400 - 1000	1000 - 4000
5		05.02.2017			1000 - 4000	4000 - 10000
6		06.02.2017			4000 - 10000	10000 - 40000
7		07.02.2017			10000 - 40000	40000 - 100000
8		08.02.2017			40000 - 100000	100000 - 400000
9		09.02.2017			100000 - 400000	400000 - 1000000
10		10.02.2017			400000 - 1000000	1000000 - 4000000
11		11.02.2017			1000000 - 4000000	4000000 - 10000000
12		12.02.2017			4000000 - 10000000	10000000 - 40000000

AUTOCAD		Edition		Area of brake	
2004 PL		1		cm <sup>2</sup>	
REGISTRACIJA, TIRŠENAVIŠKIS, ISO 9015, ISO 1101				FORMA, GYRA, GYRAJIS, PASIS, KONTROLIS, LIND	
GENERAL TOLERANCES ISO 2768 MS				DOCUMENTATION OF PROCESS RESULT FURNISHATION	
Drawing		Date	Verified	Date	Approved
M. Roguska		02.02.2017	M. Drobnivy	03.02.2017	
Name of part		Name of part		Scale	
WVA_29059		WVA_29059		1:1	
Type		Type		Material	
CARRIER PLATE 29059		CARRIER PLATE 29059		S420MC	
Number		Number		Mass 1 szt.	
LB-29059		LB-29059			